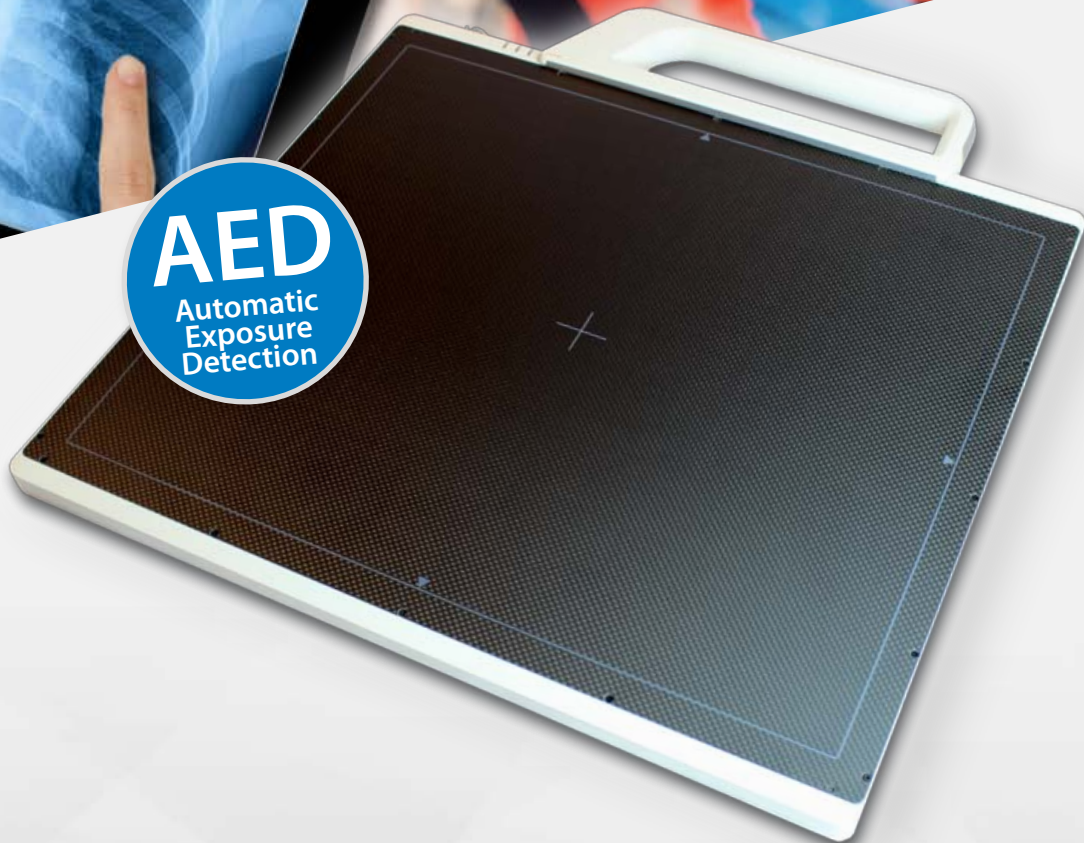




AED
Automatic
Exposure
Detection



mex+ 1417PGA

The most universal digital image processing unit

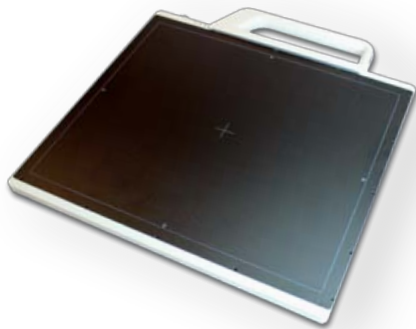


medical **ECONET**

G E R M A N Y

- Ultra thin (15,9 mm) DR flat panel detector with Automatic Exposure Detection
- No interface work needed, easy integration with any X-ray system
- Superb-crystal image resolution and fast acquisition time within 7 Seconds
- Universal system suitable as stationary and mobile solution
- Large imaging area (36 cm x 43 cm) for all general radiographic exams
- Removable handle for flexible use

Application possibilities meX+1417PGA



As table solution



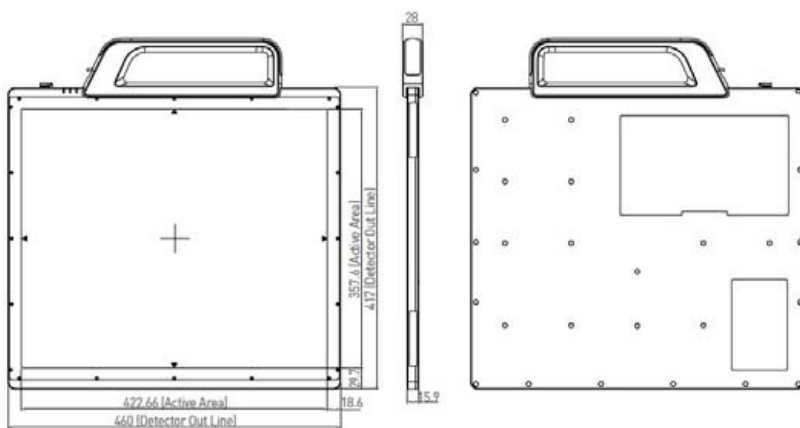
As mobile solution

meX+ Image Acquisition Software

- Simple and perfect images at all time
- Integrated automatic image optimization
- Touchscreen function for easy operating
- Fully integrated radiographic positioning guide
- Bones and soft tissue in one image
- Including Patient CD and DICOM Send function
- Adaption of almost every language possible
- Modern graphical user interface
- Safe and fast registration of emergency patients
- Entry of recurring examination procedures as macros



Dimensions



Specifications

Sensor Type	Amorphous Silicon with TFT
X-ray Converter	Gadox Gd ₂ O ₂ S:Td
Dimensions	460 x 417 x 15,9 mm
Active Pixel Array	358 x 423 mm
Weight	3,6 kg (with handle bar)
Pixel Pitch	127µ
Resolution	3,9 lp/mm
A / D Converter	14 bit
Pixel Matrix	3368 x 2756 pixels

medical **ECONET**
GERMANY

Im Erlengrund 20, 46149 Oberhausen - Germany

t: +49 (0)208 / 377 890 - 0 info@medical-econet.com
f: +49 (0)208 / 377 890 - 55 www.medical-econet.com
facebook.com/medicaleconetgermany

Distributor

*All specifications are subject to change without notice