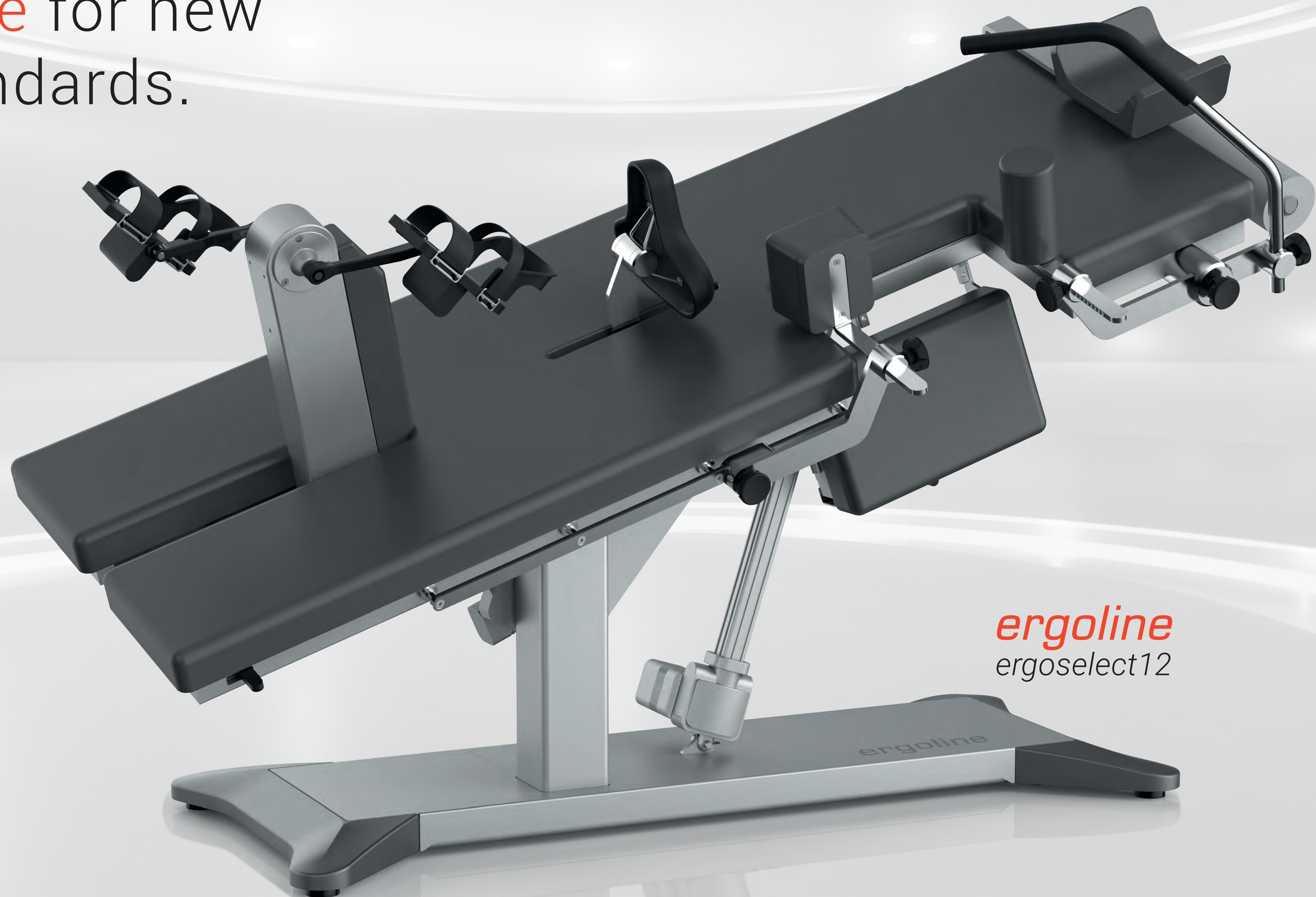


Time for new
standards.



ergoline
ergoselect12

Developed for new demands.

Functionality meets comfort.

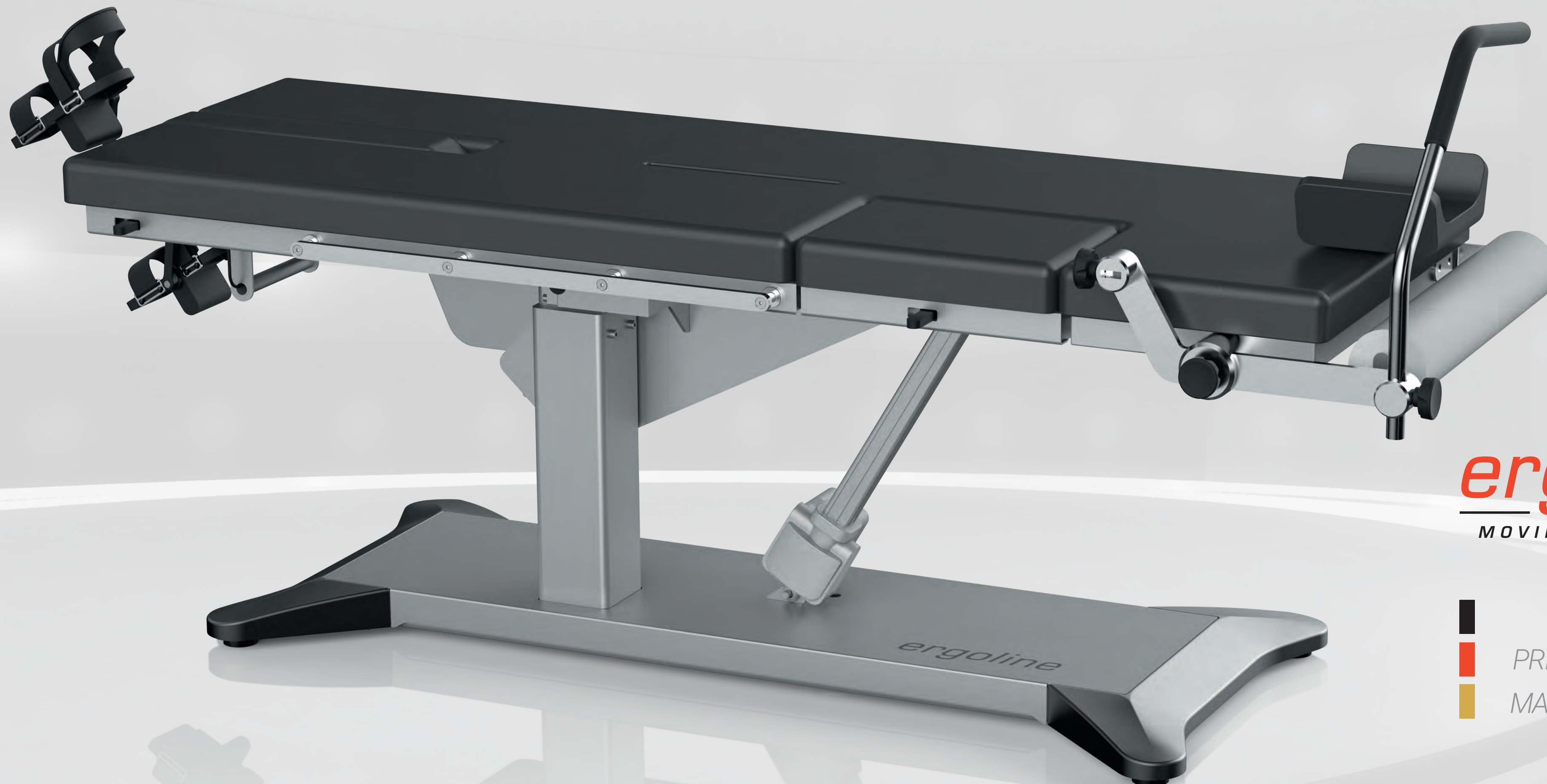
The new ergoselect 12 has it all: Taken together, its trailblazing functionality and expressive design create the perfect stress echo couch ergometer. This is evident right from the preparation for an examination: The low patient table height allows elderly patients to climb on easily, without the ergometry unit, support elements, and saddle getting in their way. The components needed for a stress echo exam can be positioned with a few simple steps.

Outstanding features.

The extremely sturdy design can support patient weights of up to 200 kg without vibrations during ergometry. The examination position and saddle settings can be conveniently adjusted via a remote control function with multi-position memory. This function is also available as a wireless version on request. The independent pivot areas for both motors make it easy to set any bed position. The high-quality upholstery fabric with its microfine structure not only emphasizes the striking design, but is also durable, easy to disinfect, and antibacterial, to name just a few of the outstanding material properties.

Built-in safety.

Safety without compromise. The carefully crafted, vibration-free design in conjunction with the robust base frame ensures a high level of patient safety during the examination. The patient bed even allows for performing immediate chest compressions. In the event of a power failure, the integrated emergency battery function lowers the patient bed to the starting position so the patient can get off without risk.



ergoline
MOVING TO HEALTH

■ 30 YEARS
■ PREMIUM QUALITY
■ MADE IN GERMANY